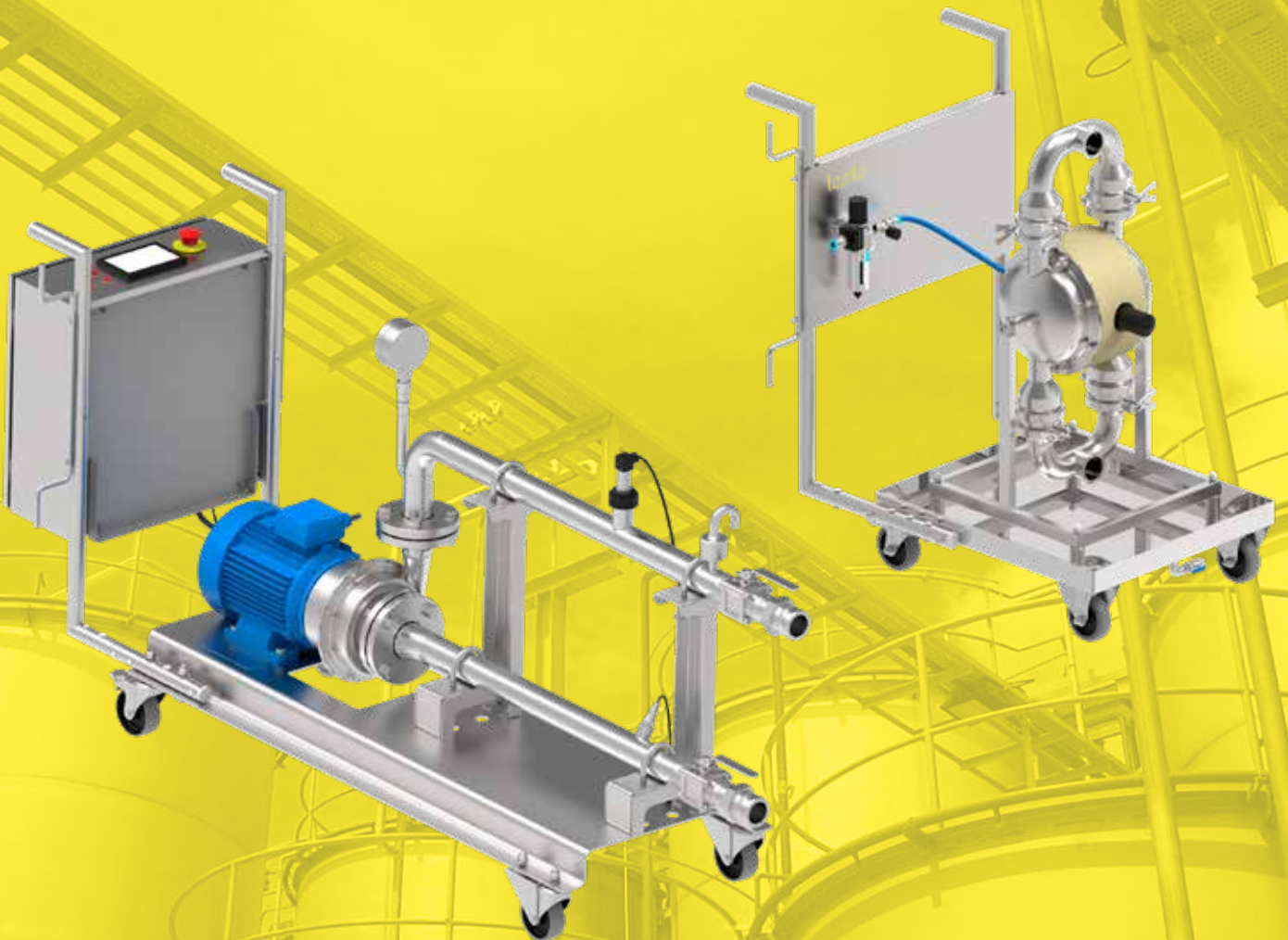


MOBILE PUMP SOLUTIONS

2021 | 1



Mobile Pump Units

the best solution for the users of spread technological processes

The portability of the units allows easy movement to various locations. This means almost limitless application.

Mobile pump units are available in both hygienic and industrial designs. The great advantage is the compatibility with the majority of Tapflo pumps range.

Moreover, it is possible to compose the trolley to your own needs by using a number of accessories such as air preparation units, ON-OFF switches, frequency inverters or hose holders.

Hygienic Trolleys

- » Stainless steel polished drip tray
- » Valve for drainage
- » 3 sizes available



Industrial Trolleys

- » Stainless steel construction
- » Compact and strong baseplate
- » 3 sizes available



Features & Benefits

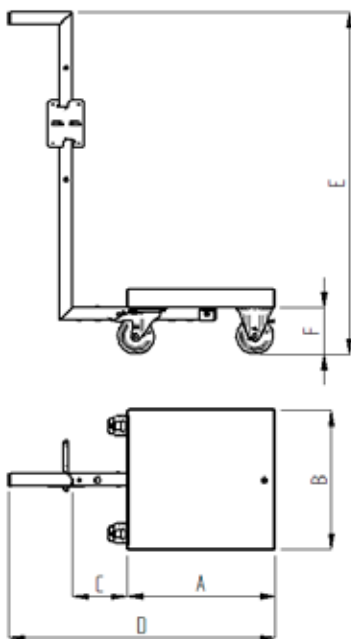
- ✓ Solid, durable and easy to operate
- ✓ Suitable for wide range of Tapflo pumps
- ✓ Broad scope of available accessories
- ✓ Can be used in ATEX zones
- ✓ Hose or cable holder included
- ✓ Removable handles for transport

Codification

	I. H	II. L	III. 03	IV. S	-	V. FR
I. Execution: Blank = Industrial H = Hygienic	II. Trolley type: S, M, L	III. Trolley size: 0 = Standard 1, 2, 3, 4, 5, 6, 7 = only for Industrial L size	IV. Option: S = standard execution X = ATEX version	V. Accessories: FR = air preparation set SC = ON/OFF switch FI = frequency inverter		

Hygienic Trolleys

Size S



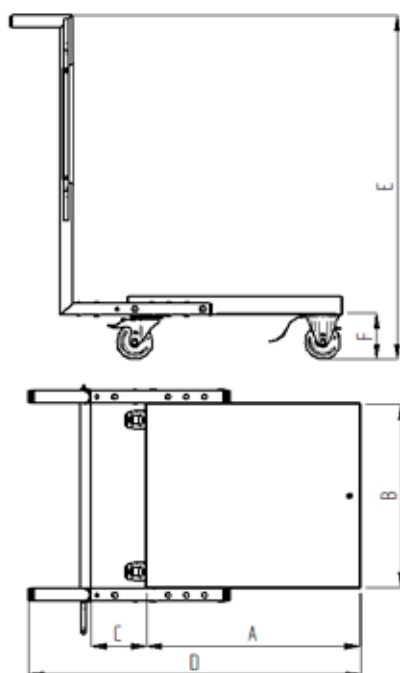
A	B	C	D	E	F
394	376	151	720	957	128



Application recommendations

- » Tapflo air operated diaphragm pumps (sizes: up to T125)
- » Tapflo centrifugal pumps (sizes: up to CT-C)

Size M



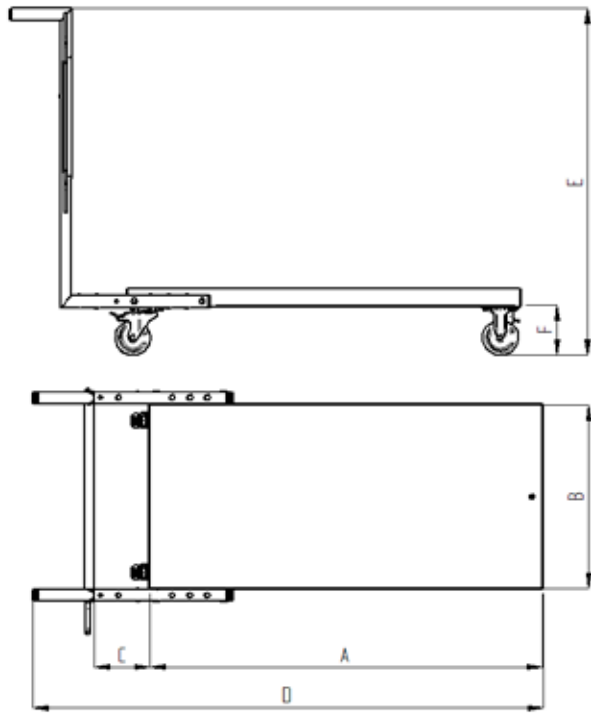
A	B	C	D	E	F
594	510	151	925	957	128



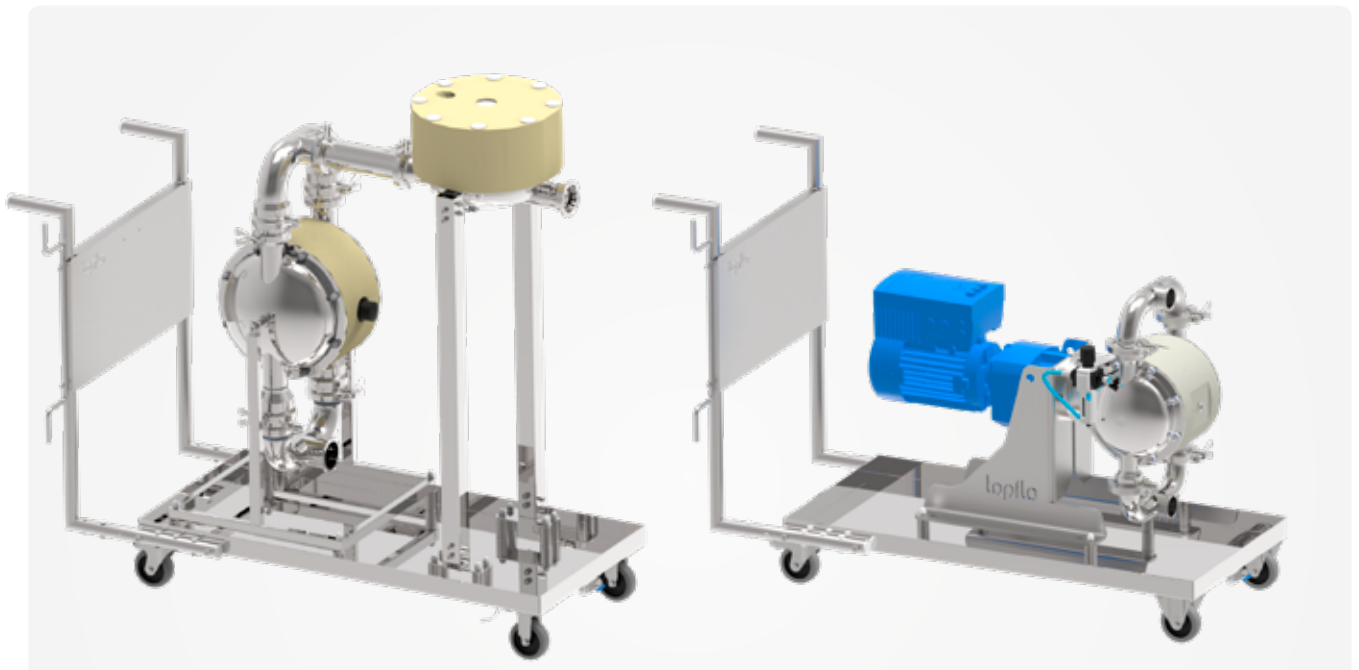
Application recommendations

- » Tapflo air operated diaphragm pumps (sizes: up to T425)
- » Tapflo air operated diaphragm pumps with pulsation dampeners (sizes: up to DT125)
- » Tapflo centrifugal pumps (CT: all sizes, CTX: up to size CTX 75)

Size L



A	B	C	D	E	F
1094	510	151	1425	957	128

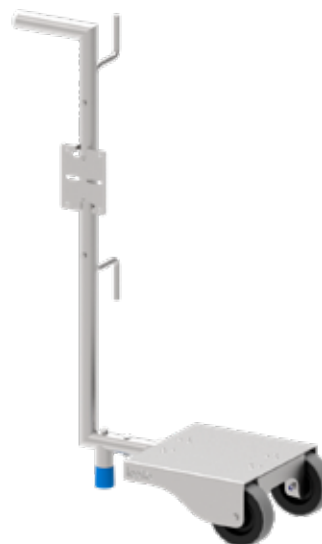
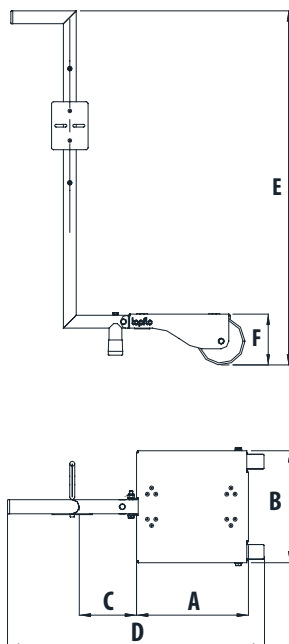


Application recommendations

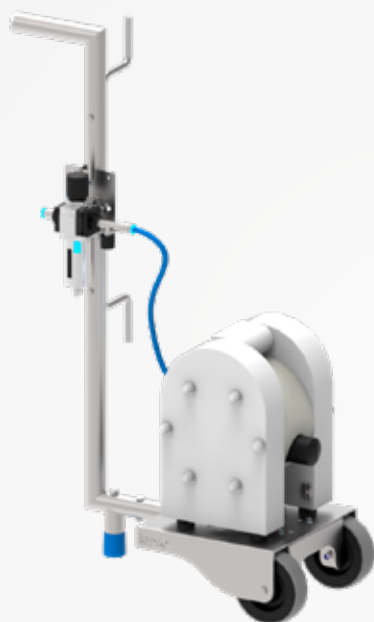
- » Tapflo air operated diaphragm pumps (sizes: up to T425)
- » Tapflo air operated diaphragm pumps with pulsation dampeners (sizes: up to DT425)
- » Tapflo electrically operated diaphragm pumps (EODD: all sizes)
- » Tapflo centrifugal pumps (CT: all sizes, CTX: up to size CTX 220)

Industrial Trolleys

Size S



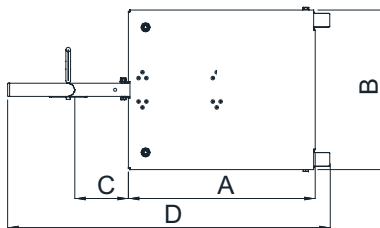
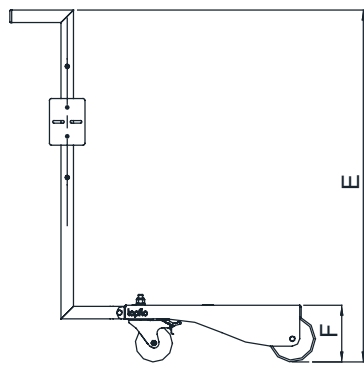
A	B	C	D	E	F
268	268	137,2	615,5	930,5	133,5



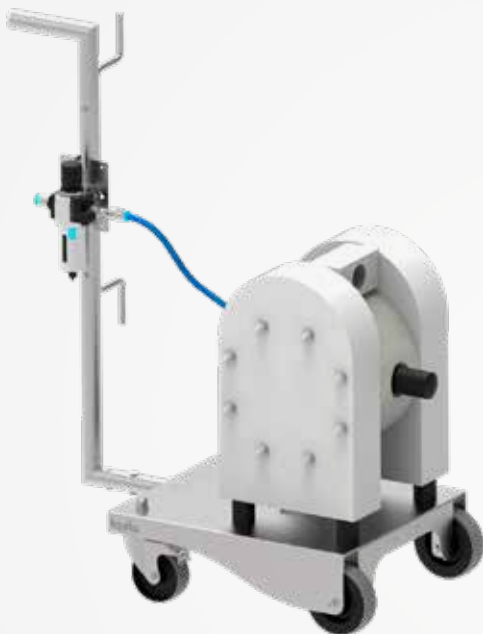
Application recommendations

- » Tapflo air operated diaphragm pumps (sizes: up to T100/120, except T80)
- » Tapflo centrifugal pumps (sizes: up to CT-C)

Size M



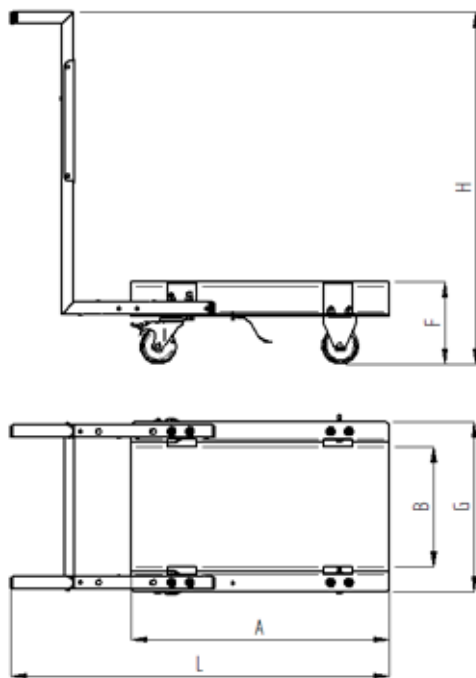
A	B	C	D	E	F
478	408	137,2	825,5	950	153



Application recommendations

- » Tapflo air operated diaphragm pumps (sizes: up to T400/T420, except T425)
- » Tapflo centrifugal pumps, monoblock (CT: all sizes, CTX: up to size CTX 75)

Size L



Trolley type	A	B	F	G	H	I	L
troll L01	500	170	195	320	965	490	870
troll L02	630	225	195	364	965	490	980
troll L03	710	330	221	486	965	490	990
troll L04	900	277	205	420	967	492	1190
troll L05	1120	334	225	510	969	494	1420
troll L06	1250	386	225	560	969	494	1535
troll L07	1400	436	225	620	969	494	1660



Application recommendations

- » Universal, compatible with almost every Tapflo pump
- » Size of a trolley should be matched to dimensions of a pump

Mobile Tapflo Solutions™



MOBILE FILTRATION UNIT: HEAVY-DUTY APPLICATION

Diaphragm pump can handle almost any liquid, also with particles. It is a perfect fit for mobile filtration applications. This system used in heavy industry is solid, automated and air operated. It can be moved around the facility and used for variety of applications.



TANK UNLOADING DIAPHRAGM PUMP ASSEMBLY

Unloading liquids out of various tanks to minimise left-over volume. This is an all-in-one solution, based on a diaphragm pump, assembled on a drip tray that collects any spillage.



CENTRIFUGAL PUMP TRANSFERRING SYSTEM

This unit based on a centrifugal pump is design to unload tanks and to pump required volume of liquid. Dedicated control system allows to perform batching or set pumping capacity value. In addition the pump is protected from overloading and dry-running.



BARREL UNLOADING DIAPHRAGM PUMP ASSEMBLY

Designed to unload liquids out of barrels by using integration of a diaphragm pump, pulsation dampener and a dedicated trolley. Detachable suction lance makes the operation nice and easy.



DIAPHRAGM PUMP UNIT FOR EMERGENCY OPERATION

Pumping out various liquids in case of an emergency leakage out of other devices. Mobile diaphragm pump unit, integrated with a suction lance, liquid storage container and hoses.



MOBILE FILTRATION UNIT: GENERAL INDUSTRY APPLICATION

Mobile filtration units are very appreciated in general industry sector. They are convenient to use, compact and universal. They are used to clean wide range of liquids.



HYGIENIC DIAPHRAGM PUMP WITH SOUND INSULATING COVER

Operating in a hygienic environment often requires dedicated solutions. Our mobile unit allows to use a diaphragm pump at any location, even at the most sound restrictive one.



ELECTRICALLY OPERATED DIAPHRAGM PUMP ASSEMBLY

Tapflo EODD pump controlled by a frequency inverter. Assembled into one unit on an industrial trolley to provide flexible and energy efficient operation.

Product range

Diaphragm pumps & accessories

NEW



Electrically operated pumps



PE & PTFE pumps



Metal pumps



Pharmaceutical pumps



Sanitary pumps



TC Intelligent pumps



Powder pumps



TF Filter press pumps

NEW



Steinle filter press pumps



Aseptic pumps

CERTIFIED
 eHEDG
 TYPE EL
 CLASS I
 SEPTEMBER 2021

Peristaltic Pumps



Active pulsation dampeners



Systems & accessories



Trolleys



PT pumps



PTL pumps

Centrifugal pumps, filter units & accessories

NEW



CTX centrifugal pumps



CTI & CTH centrifugal pumps



CTS self-priming centrifugal pumps



CTV vertical centrifugal pumps



CTP plastic centrifugal pumps



CTM magnetic drive centrifugal pumps



Trolleys



FT Filter units

Sweden

Filaregatan 4 | S-442 34 Kungälv

Tel: +46 303 63390

Fax: +46 303 19916

E-mail addresses:

Commercial questions: sales@tapflo.com

Orders: order@tapflo.com

Tech support: support@tapflo.com

We began our journey in 1980 in Kungälv, a small town on the Swedish west coast, as a family company with an ambition to one day become a global player on the pump market.

Since the foundation, we have taken pride in delivering a wealth of knowledge and passion for pumps to the industry, whilst supplying a wide range of premium products for various industrial applications.

Over the years, the company has developed into a global Tapflo Group with branches and distributors present in nearly every region of the world.

One thing did not change - we are still a family company.

Tapflo products and services are available worldwide.

Tapflo is represented by own Tapflo Group Companies and carefully selected distributors assuring highest Tapflo service quality for our customers' convenience.

AUSTRALIA | AUSTRIA | AZERBAIJAN | BAHRAIN | BELARUS | BELGIUM | BOSNIA | BRAZIL | BULGARIA | CANADA | CHILE | CHINA | COLOMBIA | CROATIA | CZECH REPUBLIC | DENMARK | ECUADOR | EGYPT | ESTONIA | FINLAND | FRANCE | GREECE | GEORGIA | GERMANY | HONG-KONG | HUNGARY | ICELAND | INDIA | INDONESIA | IRELAND | ISRAEL | ITALY | JAPAN | JORDAN | KAZAKHSTAN | KUWAIT | LATVIA | LIBYA | LITHUANIA | MACEDONIA | MALAYSIA | MEXICO | MONTENEGRO | MOROCCO | NETHERLANDS | NEW ZEALAND | NORWAY | POLAND | PORTUGAL | PHILIPPINES | QATAR | ROMANIA | RUSSIA | SAUDI ARABIA | SERBIA | SINGAPORE | SLOVAKIA | SLOVENIA | SOUTH AFRICA | SOUTH KOREA | SPAIN | SWEDEN | SWITZERLAND | TAIWAN | THAILAND | TURKEY | UKRAINE | UNITED ARAB EMIRATES | UNITED KINGDOM | USA | UZBEKISTAN | VIETNAM

Tapflo Group Companies

Australia

Tapflo Oceania (Pty) Ltd
Tel: +61 1800 303 633
sales@tapflo.com.au

Austria

Tapflo Austria
Tel: +43 732 27292910
sales@tapflo.at

Baltic States

Tapflo Latvia
Tel: +371 67472205
sales@tapflo.lv

Belarus

Tapflo Belarus
Tel: +375 17 3934609
sales@tapflo.by

Belgium

Tapflo Benelux B.V.
Tel: +31 (0)85 00 743 00
info@tapflo.nl

Bulgaria

Tapflo EOOD
Tel: +359 (0)2 974 18 54
office@tapflo.bg

Canada

Tapflo Canada
Tel: +1 514 813 5754
canada@tapflo.com

Croatia

Tapflo d.o.o.
Tel: +385 91 4884 666
sales@tapflo.hr

Czech Republic

Tapflo s.r.o.
Tel: +420 513 033 924
tapflo@tapflo.cz

China

Tapflo (Wuxi)
Tel: +86 510 8241 7072
sales@tapflo.cn

Denmark

Tapflo Danmark
Tel: +45 36 454600
info@tapflo.dk

France

Tapflo France
Tel: +33 1 34 78 82 40
info@tapflo.fr

Hungary

Tapflo kft.
Tel: +36 30 148 8551
office@tapflo.hu

India

Tapflo Fluid Handling India Pvt Ltd
Tel: +91 20 65000215
ac@tapflo.in

Ireland

Tapflo Ireland Ltd
Tel: +353 1 2011911
info@tapflo.ie

Italy

Tapflo Italia
Tel: +39 0362 306528
info@tapfloitalia.com

Japan

Tapflo Japan K.K.
Tel: +81-3-6240-3510
tapflojp@tapflo.co.jp

Kazakhstan

Tapflo Kazakstan
Tel: +7 727 3278347
sales@tapflo.kz

Netherlands

Tapflo Benelux B.V.
Tel: +31 (0)85 00 743 00
info@tapflo.nl

Poland

Tapflo Sp. z o.o.
Tel: +48 58 530 42 12
info@tapflo.pl

Romania

S.C. Tapflo Rom. S.r.l.
Tel: +40 21 3451255
sales@tapflo.ro

Russia

Tapflo Company
Tel: +7 495 232 18 28
sales@tapflo.com.ru

Serbia

Tapflo d.o.o.
Tel: +381 21 44 58 08
sales@tapflo.rs

Slovakia

Tapflo s.r.o.
Tel: +421 911 137 883
tapflo@tapflo.sk

Slovenia

Tapflo GmbH
Tel: +386 68 613 474
sales@tapflo.hr

Spain

Tapflo Iberica
Tel: +34 91 8093182
avives@tapfloiberica.es

South Africa

Tapflo (Pty) Ltd
Tel: +27 31 701 5255
sales@tapflo.co.za

Turkey

Tapflo Makina Ltd
Tel: +90 216 467 33 11
sales@tapflo.com.tr

Ukraine

TOB Tapflo
Tel: +380 44 222 68 44
sales@tapflo.ua

Uzbekistan

Tapflo Uzbekistan
Tel: +998 712370940
sales@tapflo.uz

United Kingdom

Tapflo (UK) Ltd
Tel: +44 2380 252325
sales@tapflo pumps.co.uk



If your country is not listed
please visit
www.tapflo.com/en/contact

www.tapflo.com

Tapflo is a registered trademark of Tapflo AB. All rights reserved.

Information in this document is subject to change without notice. Reproduction in any manner without written permission of Tapflo Group is forbidden. Tapflo Group reserves the right to make changes in product design, or detail, and to discontinue any product or material without notice.

Art. No. 10-2214